

TFD-1261

Intelligent Addressable Heat Detector (Fixed Heat and Heat Rise) with Built-in Isolator

TFD-1260

Intelligent Addressable Heat Detector (Fixed Heat and Heat Rise)



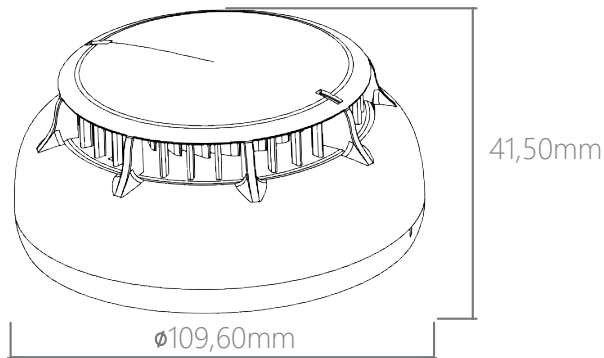
EN54-5 EN54-17 EN54-13

TFD-1261 and TFD-1260 Detectors uses heat detection technologies to sense fire and it can be connected two-wired loop circuit carrying both data and power. It uses FlashLink communication protocol to communicate Teknim Addressable control panels. It has a series of algorithms to minimize faulty detections.

Detector can work as Fixed Heat or Heat Rise which can be selected from control panel or configuration software and complies with EN54-5 and EN54-17.

GENERAL FEATURES

- EN54-5 and EN54-17 Certified
- Supports 2X NTC to ensure more accurate and precise temperature measurement
- Supports Built-in Isolator (TFD-1261)
- Supports A2S or A2R Detection
- Supports 2x LED indicators enabling 360° view
- Supports three different colors of indication by LEDs to individually display Status, Fire Alarm, Short-Circuit and Pollution (Blink Blue/Red/Fixed Blue/Yellow)
- Supports remote indicator connection terminals
- Aesthetic and elegant design fits any environment
- Optional Label apparatus can be installed to the bottom of detector base view detector address from distance



Technical Specifications	TFD-1261	TFD-1260
Standard	EN 54-17 / EN54-5	EN54-5
Operating Type	A2S, A2R	
Built-in Isolator	Yes	No
Power	18-32VDC	
Average Consumption	80µA@32V	
Alarm Consumption	3mA	
Indicator Current	10mA	
Weight (Include Base / Not)	183gr / 125gr	
Dimensions (mm)	Ø110, h42	
Body Material and Color	ABS Plastic – White	
Alarm Indicator LED	RED	
Status LED	Blue	
Isolator LED	Yellow	No
Operating Temperature	-10°C ~ 70°C	
Humidity	95% RH	
Protection Class	IP30	

